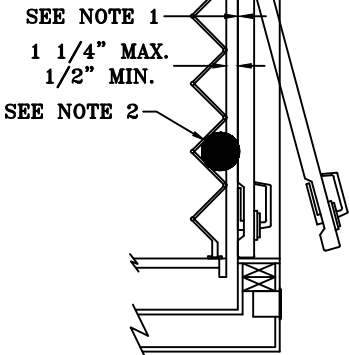
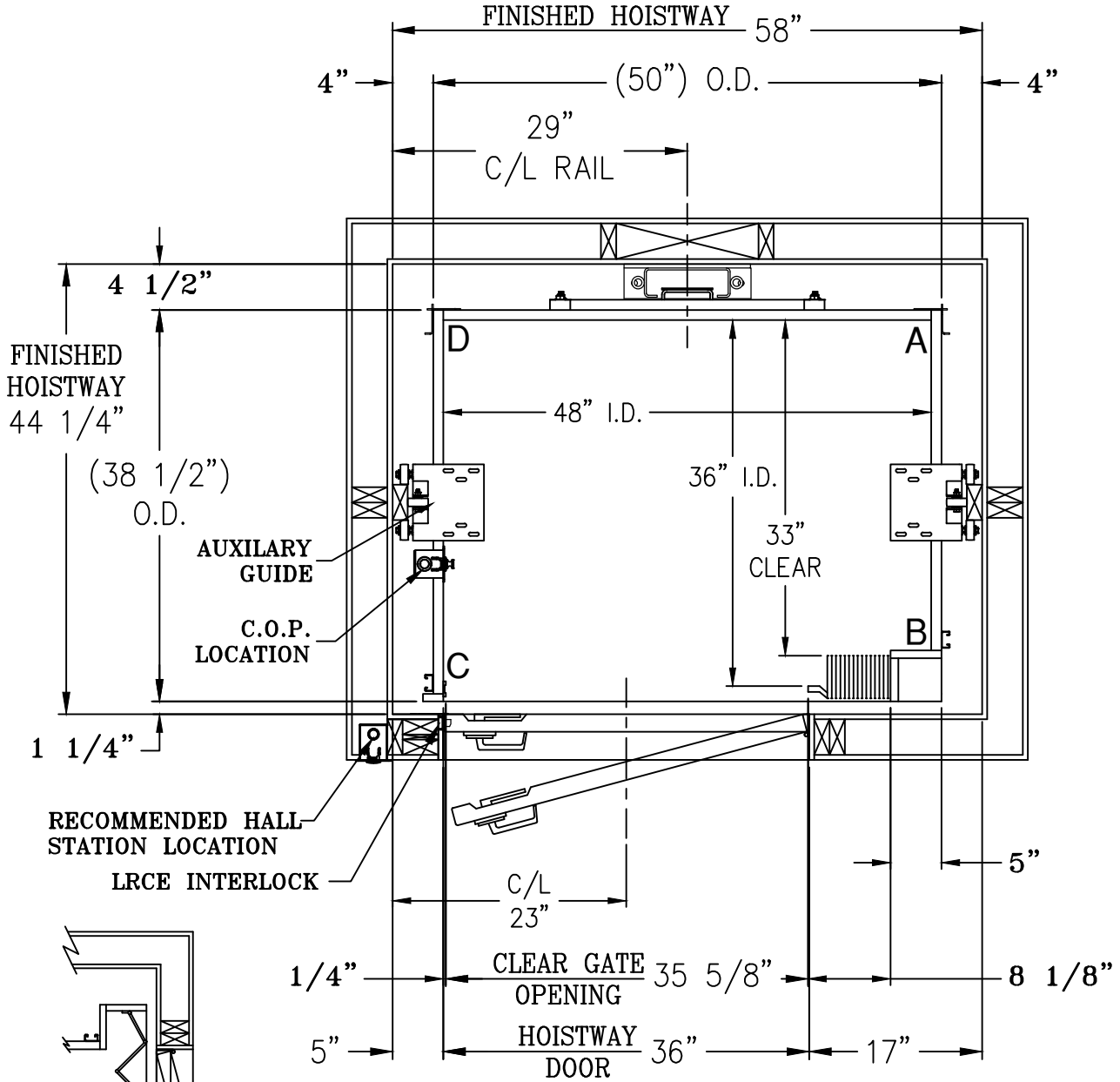


NOTE:

- 1) DISTANCE BETWEEN THE FACE OF THE HOISTWAY DOOR AND EDGE OF LANDING SILL SHALL NOT EXCEED 3/4".
- 2) MUST REJECT 4" DIAMETER BALL AT ALL POINTS WHEN HOISTWAY DOOR AND CAR DOOR ARE IN FULLY CLOSED POSITION.
- 3) HOISTWAY BY OTHERS PER CODE. WALLS TO BE PLUMB AND SQUARE. ALL HOISTWAY DOORS BY OTHERS PER CODE.
- 4) PRUDHOMME LRCE DOOR INTERLOCKS. (\*\*SPECIAL DOOR FRAMING REQUIRED ON LATCH SIDE\*\*)
- 5) FINISHED HOISTWAY = ROUGH FRAMING + DRYWALL + PLASTER + PAINT.



|                                      |       |  |                 |
|--------------------------------------|-------|--|-----------------|
| <b>FOX VALLEY</b>                    |       | 1726 North Ballard Road<br>Appleton, WI 54911<br>Phone: 800-238-8739 |                 |
| <b>ELEVATOR</b> ™                    |       |  |                 |
| ELEVATOR CONTRACTOR:                 |       |  |                 |
| JOB NAME:                            |       | ORDER NUMBER:  |                 |
| <b>CUSTOM-LIFT SERIES</b>            |       |  |                 |
| <b>500 LB. WINDING DRUM ELEVATOR</b> |       |  |                 |
| <b>BC OPENING W/ ACCORDION GATE</b>  |       |  |                 |
| DRAWN BY:                            | DATE: | SIGNATURE OF APPROVAL  | DWG. NO.        |
|                                      |       |  | <b>C-002395</b> |