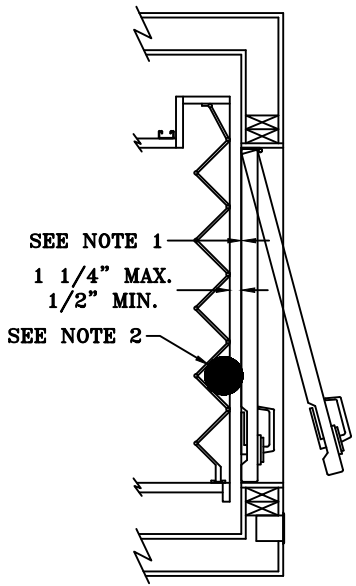
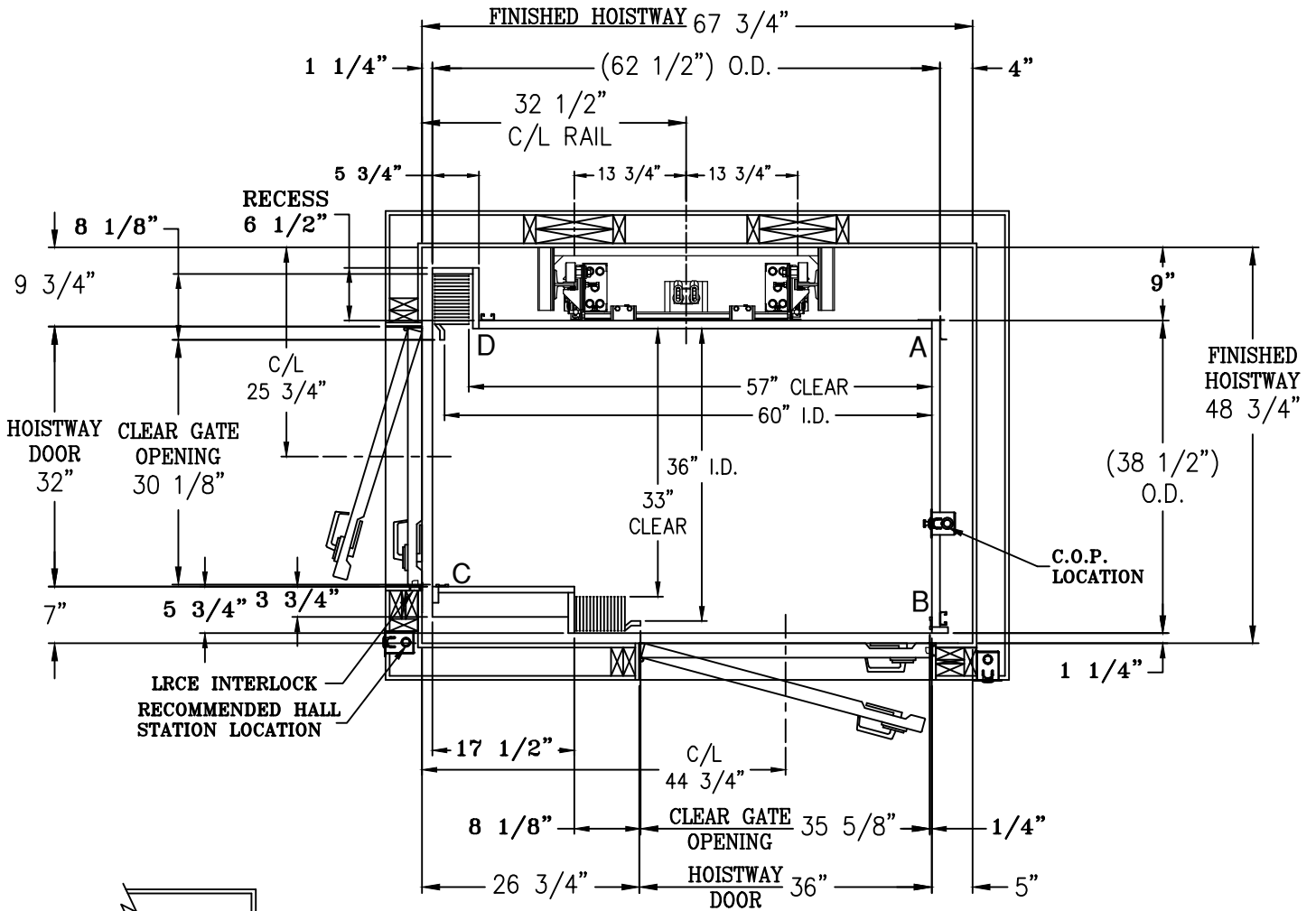


NOTE:

- 1) DISTANCE BETWEEN THE FACE OF THE HOISTWAY DOOR AND EDGE OF LANDING SILL SHALL NOT EXCEED 3/4".
- 2) MUST REJECT 4" DIAMETER BALL AT ALL POINTS WHEN HOISTWAY DOOR AND CAR DOOR ARE IN FULLY CLOSED POSITION.
- 3) HOISTWAY BY OTHERS PER CODE. WALLS TO BE PLUMB AND SQUARE. ALL HOISTWAY DOORS BY OTHERS PER CODE.
- 4) PRUDHOMME LRCE DOOR INTERLOCKS. (\*\*SPECIAL DOOR FRAMING REQUIRED ON LATCH SIDE\*\*)
- 5) FINISHED HOISTWAY = ROUGH FRAMING + DRYWALL + PLASTER + PAINT.



**FOX VALLEY ELEVATOR**™

1726 North Ballard Road  
Appleton, WI 54911  
Phone: 800-238-8739

ELEVATOR CONTRACTOR: \_\_\_\_\_

JOB NAME: \_\_\_\_\_ ORDER NUMBER: \_\_\_\_\_

**EXCELEVATOR SERIES  
WINDING DRUM ELEVATOR  
DCR CB OPENING W/ ACCORDION GATE**

DRAWN BY: _____	DATE: _____	SIGNATURE OF APPROVAL _____	DWG. NO. C-002906
-----------------	-------------	-----------------------------	-------------------