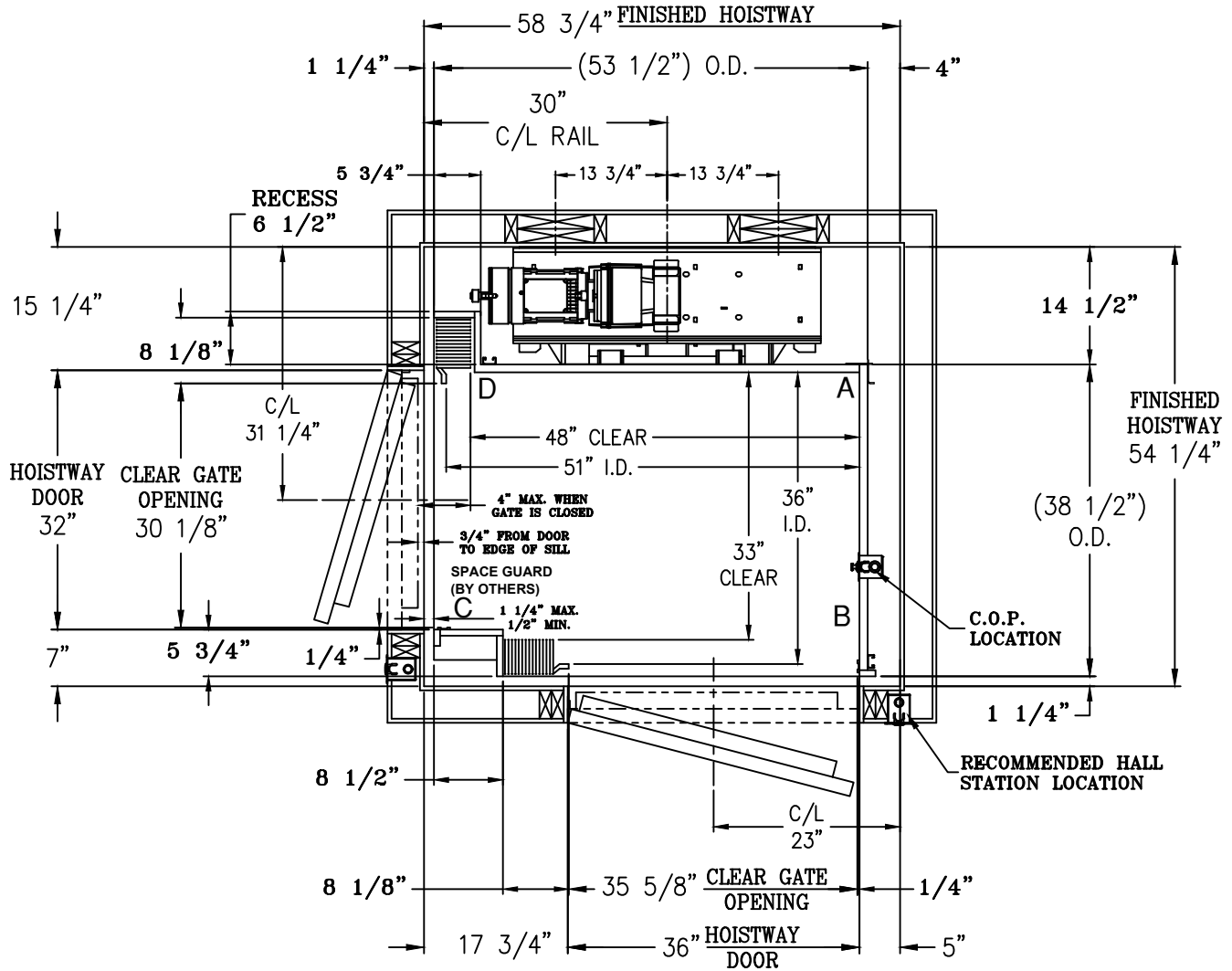


DOOR SPACE GUARD REQUIRED TO COMPLY WITH ASME A17.1-2019 SECTIONS 5.3.1.8.2 AND 5.3.1.9.3 (b). CONTACT LOCAL CODE AUTHORITY FOR SPACE GUARD SIZE REQUIREMENTS.



- 1) HOISTWAY BY OTHERS PER CODE. WALLS TO BE PLUMB AND SQUARE. ALL HOISTWAY DOORS BY OTHERS PER CODE.
- 2) FINISHED HOISTWAY = ROUGH FRAMING + DRYWALL + PLASTER + PAINT.

FOX VALLEY ELEVATOR 1726 North Ballard Road
Appleton, WI 54911
Phone: 800-238-8739

ELEVATOR CONTRACTOR:

JOB NAME: _____ **ORDER NUMBER:** _____

**EXCELEVATOR SERIES
CHAIN DRIVE ELEVATOR
DCR-CB OPENING W/ ACCORDION GATE**

DRAWN BY: _____ **DATE:** _____ **SIGNATURE OF APPROVAL** _____ **DWG. NO.** C-003263