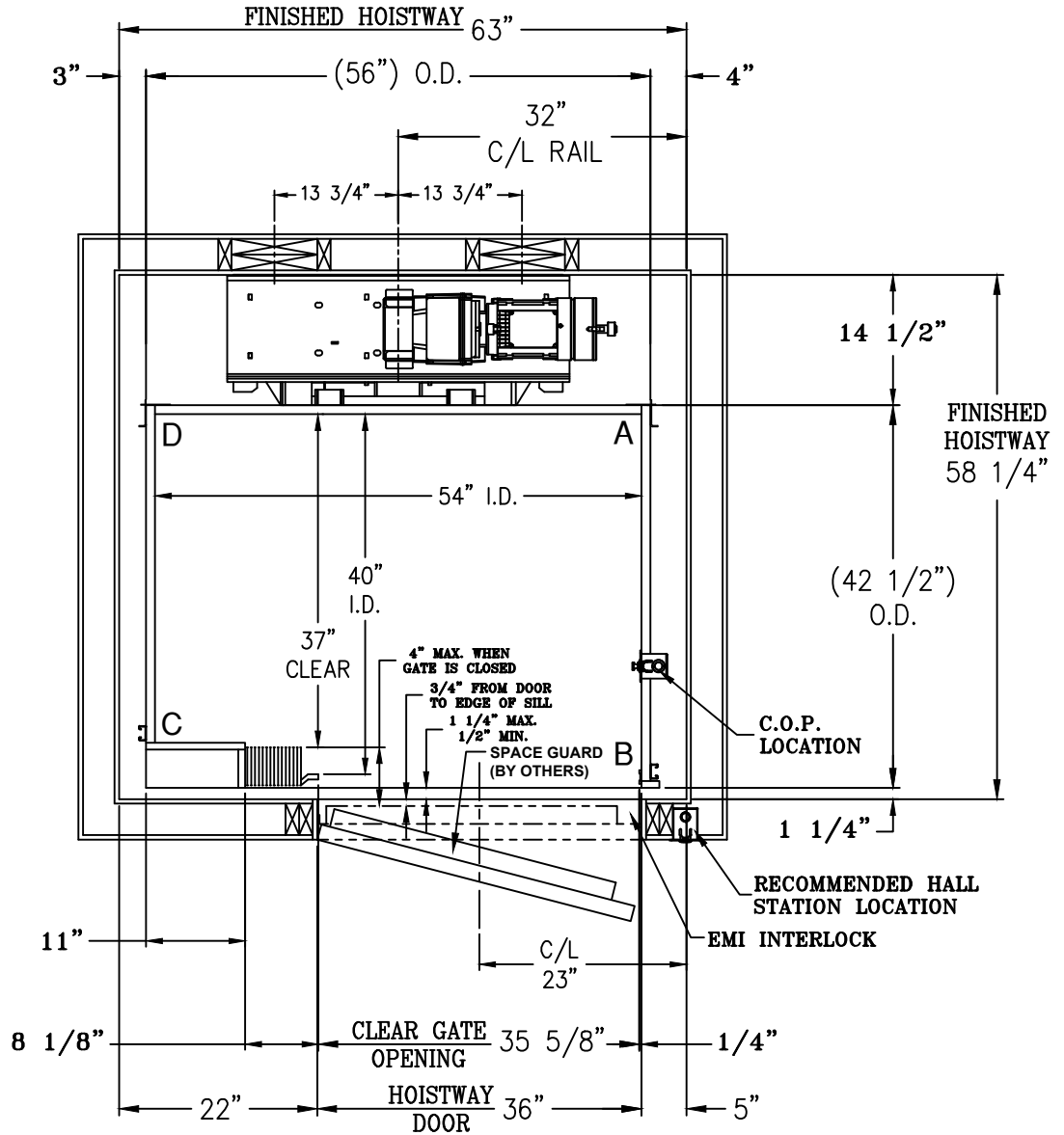


DOOR SPACE GUARD REQUIRED TO COMPLY WITH ASME A17.1-2019 SECTIONS 5.3.1.8.2 AND 5.3.1.9.3 (b). CONTACT LOCAL CODE AUTHORITY FOR SPACE GUARD SIZE REQUIREMENTS.



- 1) HOISTWAY BY OTHERS PER CODE. WALLS TO BE PLUMB AND SQUARE. ALL HOISTWAY DOORS BY OTHERS PER CODE.
- 2) FINISHED HOISTWAY = ROUGH FRAMING + DRYWALL + PLASTER + PAINT.

**FOX VALLEY ELEVATOR**  
 1726 North Ballard Road  
 Appleton, WI 54911  
 Phone: 800-238-8739

|  |       |                       |                      |
|--|-------|-----------------------|----------------------|
| ELEVATOR CONTRACTOR:   |       |                       |                      |
| JOB NAME:  |       | ORDER NUMBER:         |                      |
| <b>EXCELEVATOR SERIES<br/>CHAIN DRIVE<br/>CB OPENING W/ ACCORDION GATE</b> |       |                       |                      |
| DRAWN BY:  | DATE: | SIGNATURE OF APPROVAL | DWG. NO.<br>C-003240 |