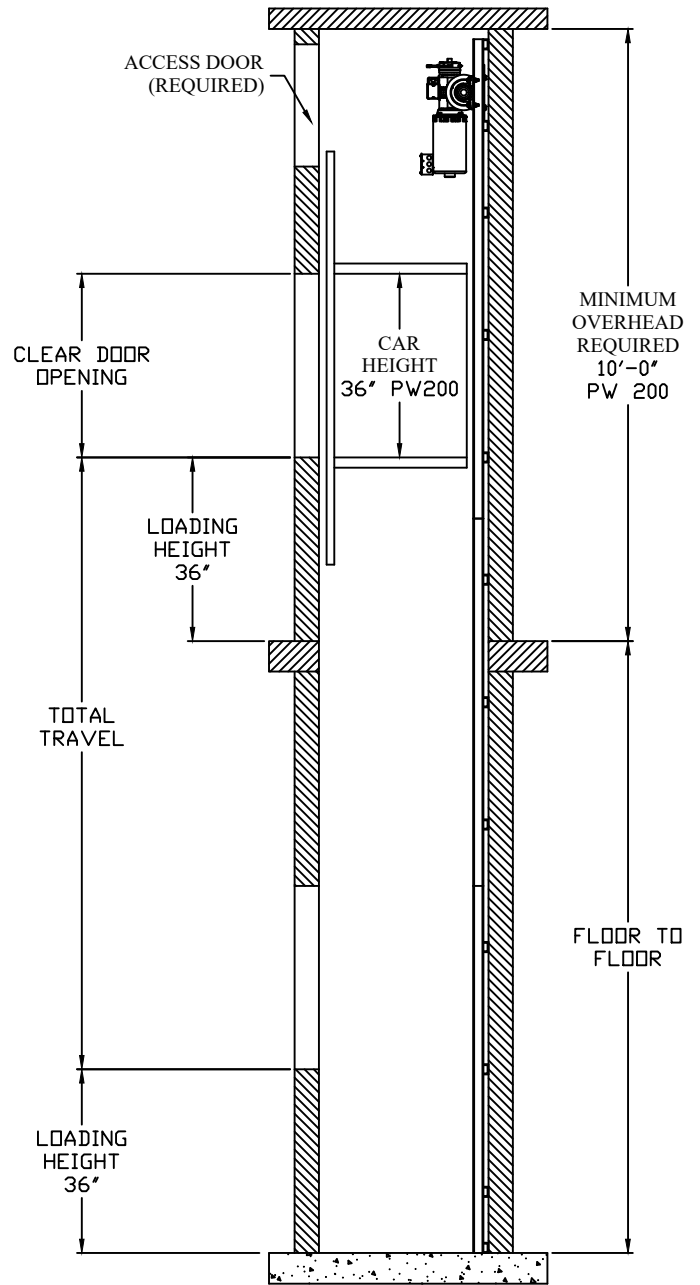


**ROLLTOP GATE**



**BI-PART GATE**

**FOX VALLEY** 1726 North Ballard Road  
 Appleton, WI 54911  
 Phone: 800-238-8739

# ELEVATOR™

ELEVATOR CONTRACTOR:			
JOB NAME: ELEVATION LAYOUT		ORDER NUMBER:	
<b>PACA-WAITER (011)</b> <b>ELEVATION LAYOUT</b> <b>2 STOP W/GATE MOTOR ABOVE</b>			
DRAWN BY:	DATE:	SIGNATURE OF APPROVAL	DWG. NO. C-003035