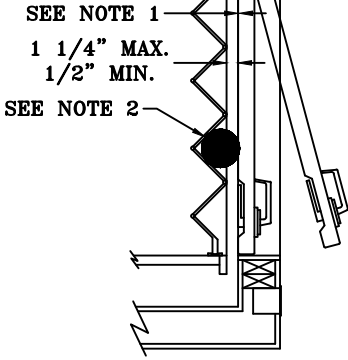
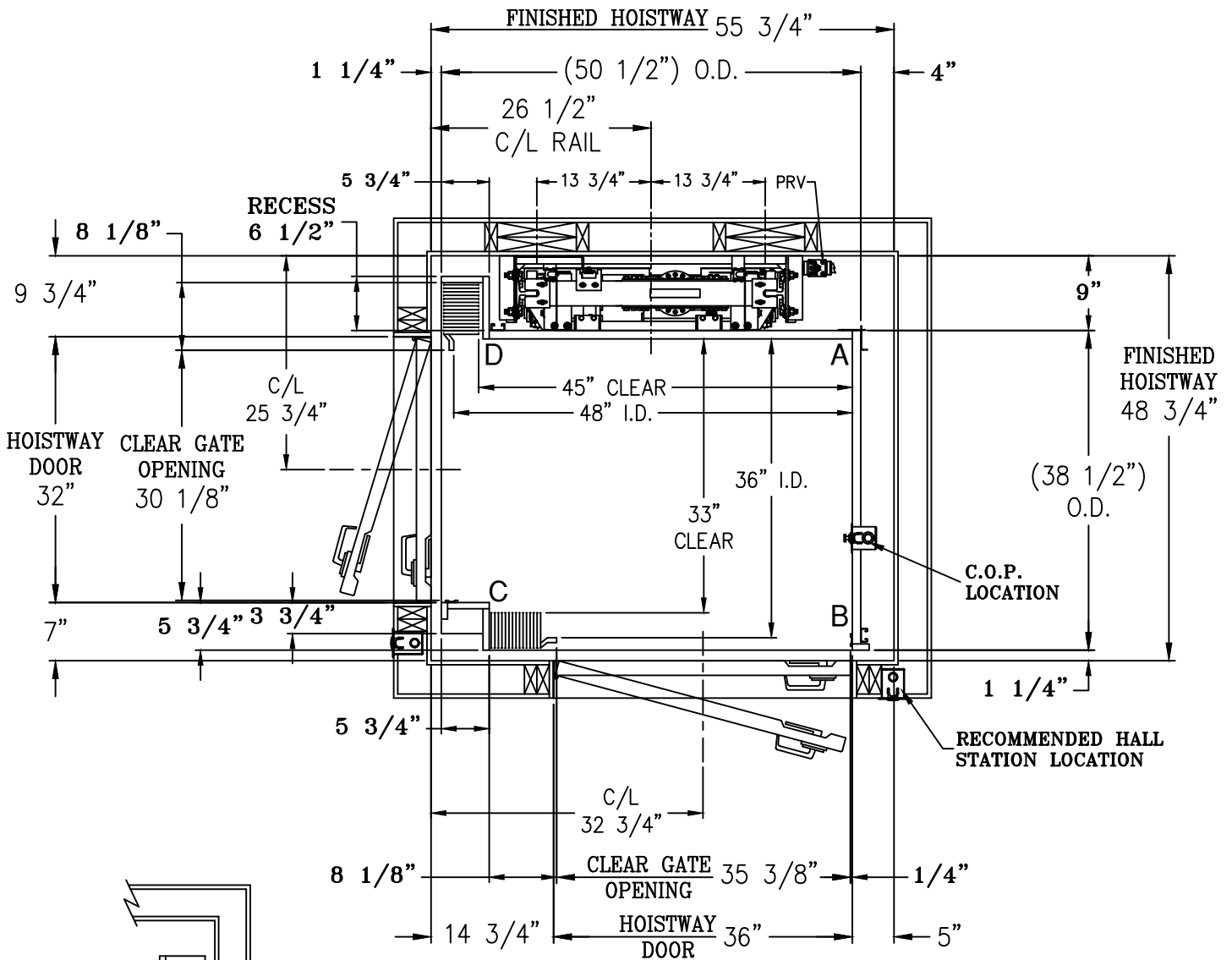


NOTE:

- 1) DISTANCE BETWEEN THE FACE OF THE HOISTWAY DOOR AND EDGE OF LANDING SILL SHALL NOT EXCEED 3/4".
- 2) MUST REJECT 4" DIAMETER BALL AT ALL POINTS WHEN HOISTWAY DOOR AND CAR DOOR ARE IN FULLY CLOSED POSITION.
- 3) HOISTWAY BY OTHERS PER CODE. WALLS TO BE PLUMB AND SQUARE. ALL HOISTWAY DOORS BY OTHERS PER CODE.
- 4) HOISTWAY DOOR INTERLOCKS BY OTHERS.
- 5) FINISHED HOISTWAY = ROUGH FRAMING + DRYWALL + PLASTER + PAINT.



**FOX VALLEY ELEVATOR**  
 1726 North Ballard Road  
 Appleton, WI 54911  
 Phone: 800-238-8739

**ELEVATOR CONTRACTOR:**

**JOB NAME:** \_\_\_\_\_ **ORDER NUMBER:** \_\_\_\_\_

**EXCELEVATOR SERIES  
 HYDRAULIC ELEVATOR  
 DCR CB OPENING W/ ACCORDION GATE**

**DRAWN BY:** \_\_\_\_\_ **DATE:** \_\_\_\_\_ **SIGNATURE OF APPROVAL** \_\_\_\_\_ **DWG. NO.** C-002904