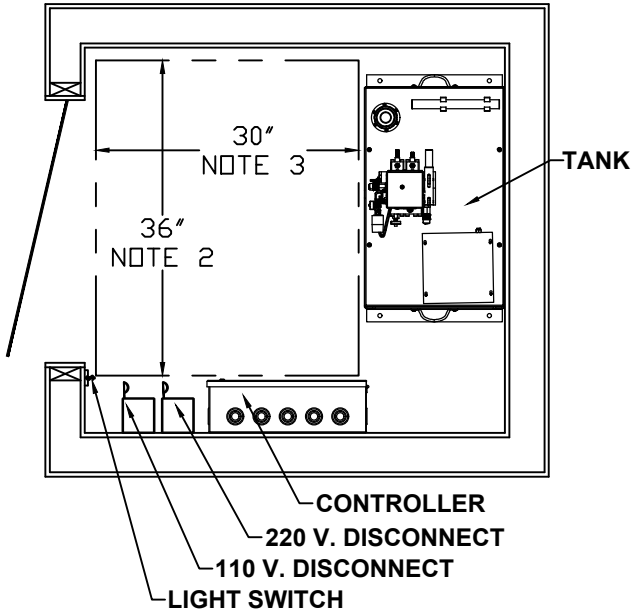
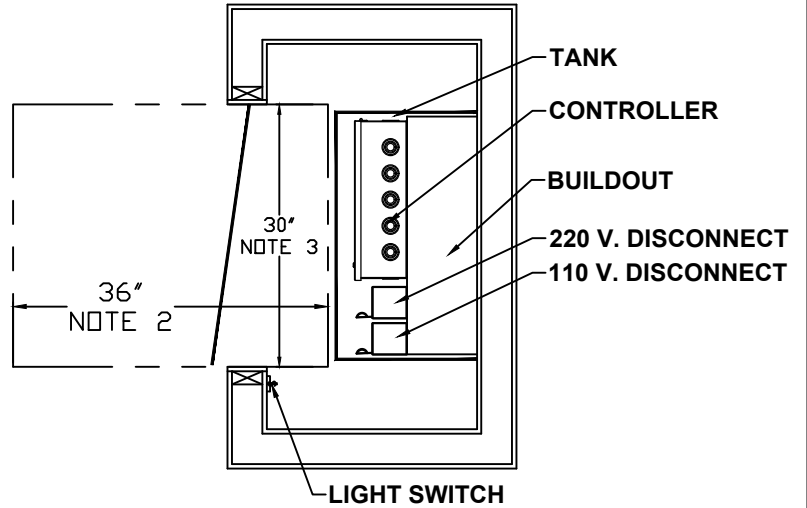


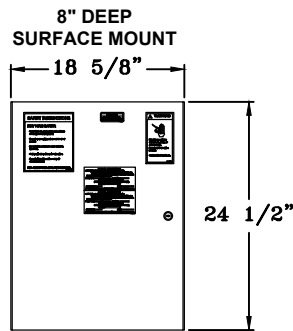
**STANDARD LAYOUT**



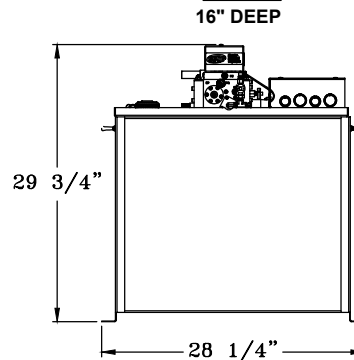
**CONTROLLER MOUNTED ABOVE AND FLUSH WITH FRONT OF PUMP**



**CONTROLLER**



**TANK**



NOTES:

1. LOCAL, STATE, & NATIONAL CODES MUST ALWAYS BE FOLLOWED.
2. 36" MINIMUM CLEARANCE IN FRONT OF CONTROLLER PANEL REQUIRED PER N.E.C.
3. 30" MINIMUM WIDTH OR THE WIDTH OF THE EQUIPMENT REQUIRED PER N.E.C.
4. THE HEIGHT OF THE WORKING SPACE IN FRONT OF THE EQUIPMENT MUST NOT BE LESS THAN 78" MEASURED FROM THE GRADE, FLOOR, PLATFORM, OR THE EQUIPMENT HEIGHT, WHICHEVER IS GREATER.
5. A LOCKABLE SERVICE DISCONNECT MUST BE PLACED WITHIN SIGHT OF THE CONTROLLER AND MUST BE EASILY ACCESSIBLE IN CASE OF AN EMERGENCY.
6. MACHINE ROOM MUST CONTAIN A CONVENIENCE OUTLET AND LIGHT SWITCH.
7. TEMPERATURE IN HOISTWAY AND MACHINE ROOM TO BE MAINTAINED BETWEEN 60-110° F AND RELATIVE HUMIDITY SHOULD NOT EXCEED 95%.
8. TANK REQUIRES OIL TYPE AW-32, AMOUNT 20 GAL.

**FOX VALLEY ELEVATOR** 1726 North Ballard Road  
Appleton, WI 54911  
Phone: 800-238-8739

<b>ELEVATOR CONTRACTOR:</b>			
<b>JOB NAME:</b>		<b>ORDER NUMBER:</b>	
<b>HYDRAULIC ELEVATOR TYPICAL MACHINE ROOM LAYOUT</b>			
<b>DRAWN BY:</b>	<b>DATE:</b>	<b>SIGNATURE OF APPROVAL</b>	<b>DWG. NO. C-003021</b>